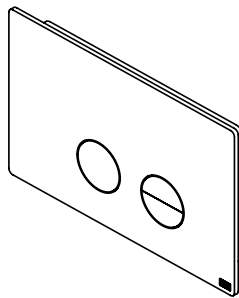
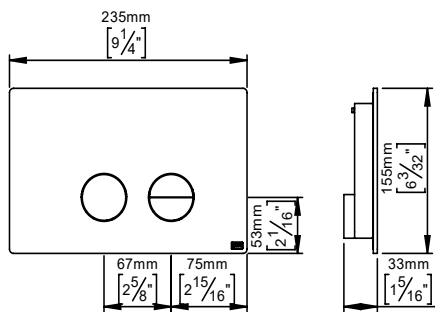


# Flushing plate



## Qtoo collection

**Product**

Flushing plate for Geberit flushing mechanism

**Tender text**

Qtoo collection, flushing plate for Geberit Sigma 112 flushing mechanism. Manufactured in the highest quality marine grade, AISI 316 stainless steel, protected against high levels of corrosion. 20-year warranty.

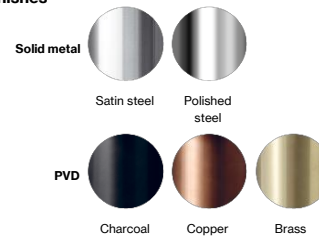
**Product specification**

Dimensions: 170x255x4mm

Compatible with Geberit Sigma 112

Material: Marine grade AISI 316 stainless steel

Minimum wall thickness: 24mm

[20-year warranty \(5 years for coated items\)](#)
**Available finishes**

**Spare parts/  
accessories**
**Mounting**
<https://dline.com/mounting-instructions/>
**Product care**

dline products are produced in the highest quality marine grade AISI 316 stainless steel. To sustain the unique dline finish please follow the below instructions.

- Wash down the surfaces using soapy water or mild detergent

- Always thoroughly rinse off with clean water

- To complete the cleaning procedure dry/polish the surface with a soft dry cloth

Please do not use scouring powder, steel wool, chloride based detergents or other aggressive cleaning products as these may damage the surface.

If spots or corrosion appear on the surface it is not due to the stainless steel quality, but to impurities in the environment, aggressive conditions or improper or insufficient cleaning.